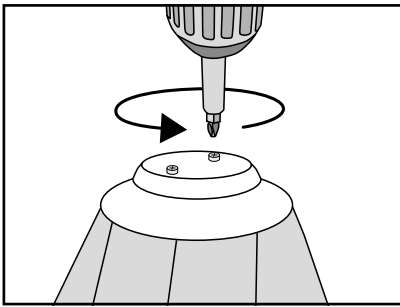
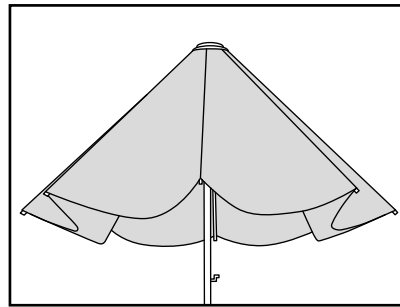


# HOW TO EXCHANGE YOUR CANOPY

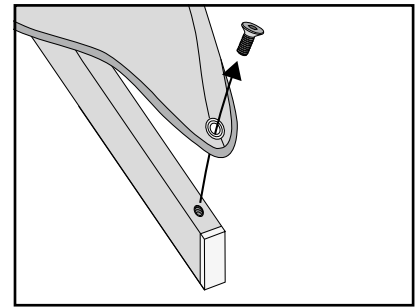
A dirty or damaged canopy is no reason to replace the whole parasol. We'll show you how easy it is to remove the canopy of your CARAVITA parasol. Bring your canopy to a laundry service, have it fixed or get a new canopy for your parasol.



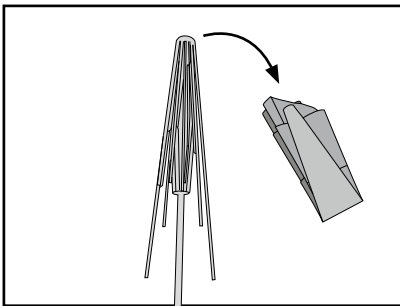
1) Unscrew the finial cap.



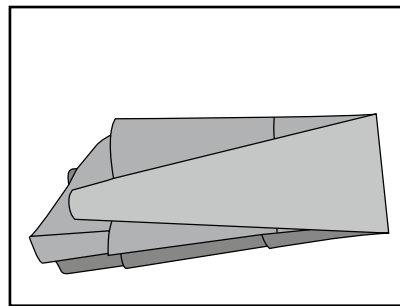
2) Open the parasol halfway.



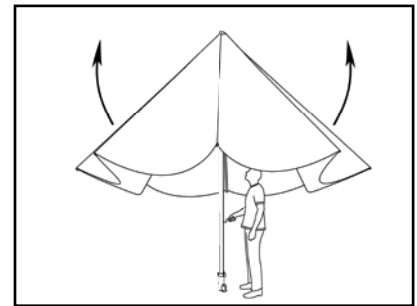
3) Loosen the screws at the end of the struts with a cordless drill and remove the canopy from the parasol.



4) Take off the canopy from your parasol.



5) Mount the new or cleaned canopy by repeating step one to four in reverse order.



6) Open your parasol carefully and check if the orientation of the canopy is correct.

## CAUTION: IF THE PARASOL DOES NOT OPEN EASILY, DO NOT USE FORCE!

Try to detect the error that blocks the mechanism. If the error cannot be detected please contact your dealer or the Caravita customer service.

## Maintaining instructions for your canopy

Dirt is best brushed off dry on a regular basis. Stains can be treated with lukewarm water and a soft brush. Treat stubborn stains by hand washing with some commercial mild detergent, rinse well with clear water, let dry and treat with water repellent if necessary afterwards. Speciality dealers may offer special liquid detergents, follow instructions carefully. Wash the canopy with cold water only. Do not wash it with warm or hot water. Acrylic fabrics shrink even at low temperatures!

**We are pleased to offer a professional cleaning service for you!**

## DO YOU WANT TO REPLACE YOUR CANOPY?

Call us and get your free estimate for a new canopy now!

**+49 8458 60389-23 or [sales@caravita.eu](mailto:sales@caravita.eu)**